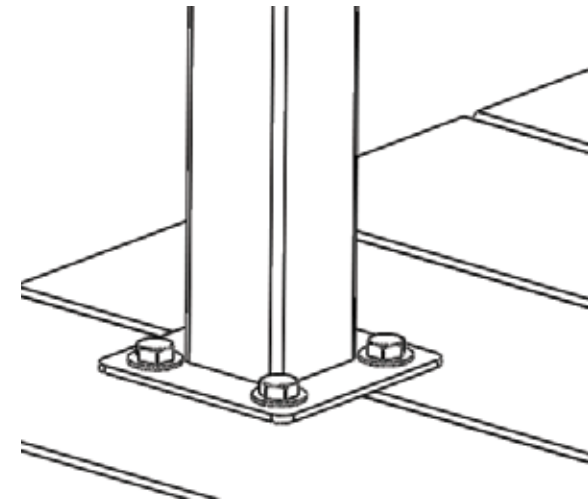


# PURE VIEW | FULL GLASS PANEL & GLASS BALUSTER

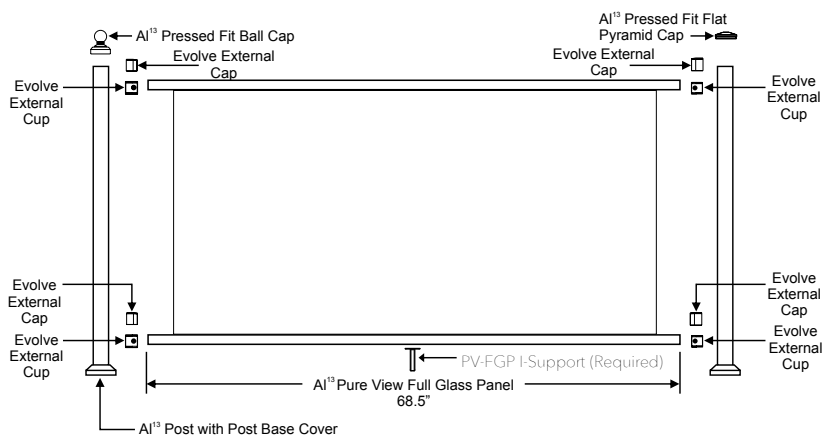
## MOUNT POSTS



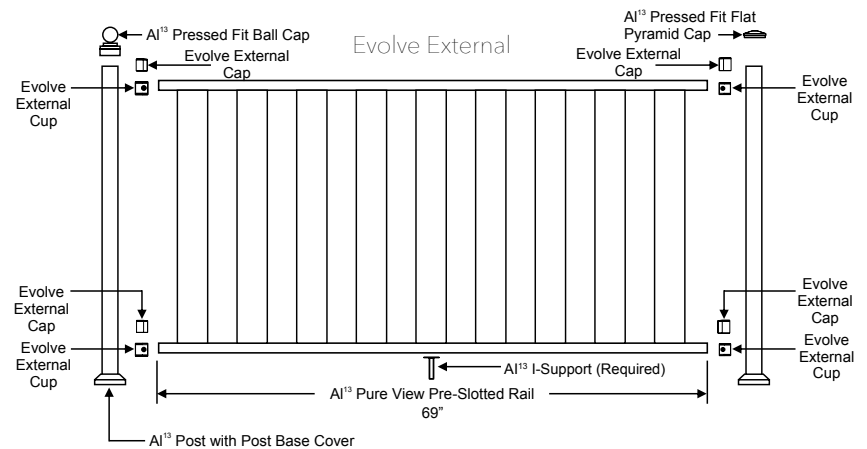
Fortress Posts must always be secured to the deck framing and should never be attached to only the deck boards.

## MOUNT BRACKETS & PANELS

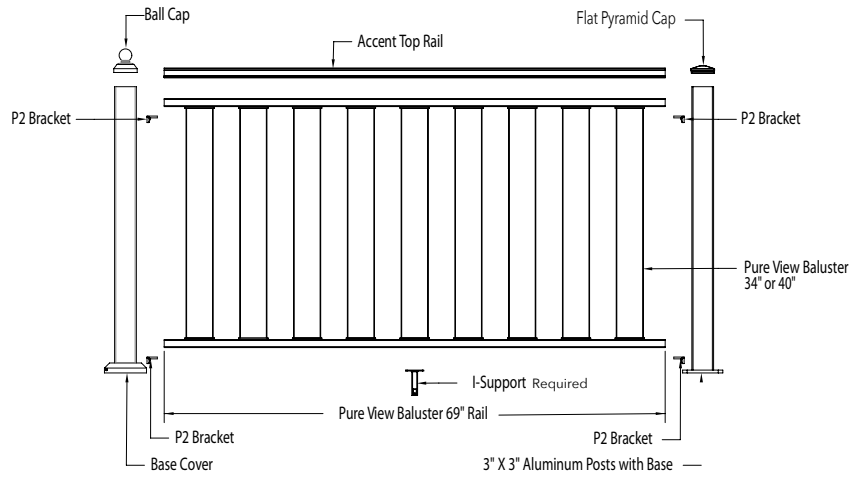
### OPTION 1: FULL GLASS PANEL



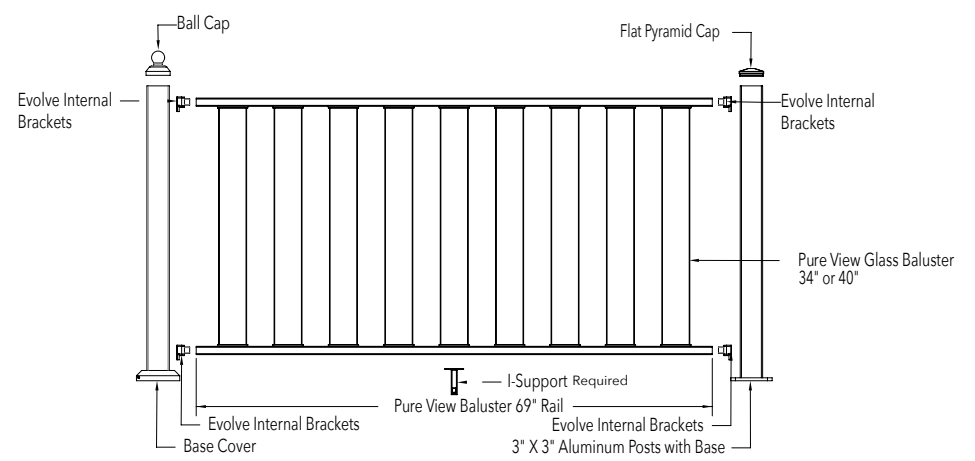
### OPTION 2: GLASS BALUSTER ALUMINUM TOP AND BOTTOM PRE-SLOTTED RAILS



Evolve P2 Bracket

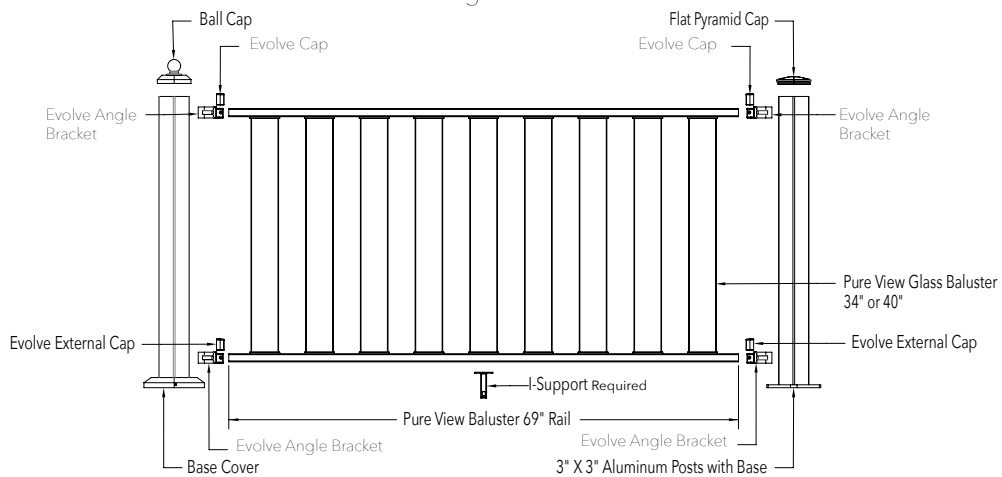


Evolve Internal Bracket

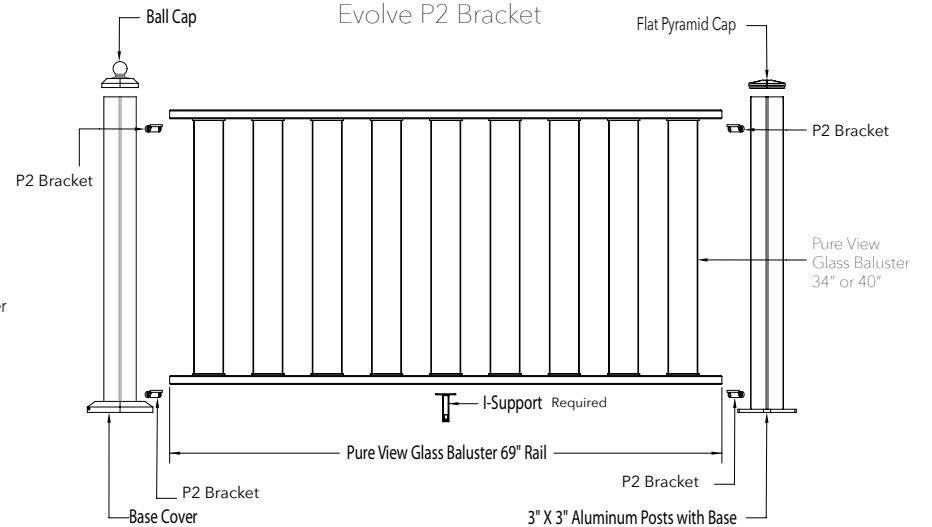


## ANGLE/MITER WITH EVOLVE BRACKETS

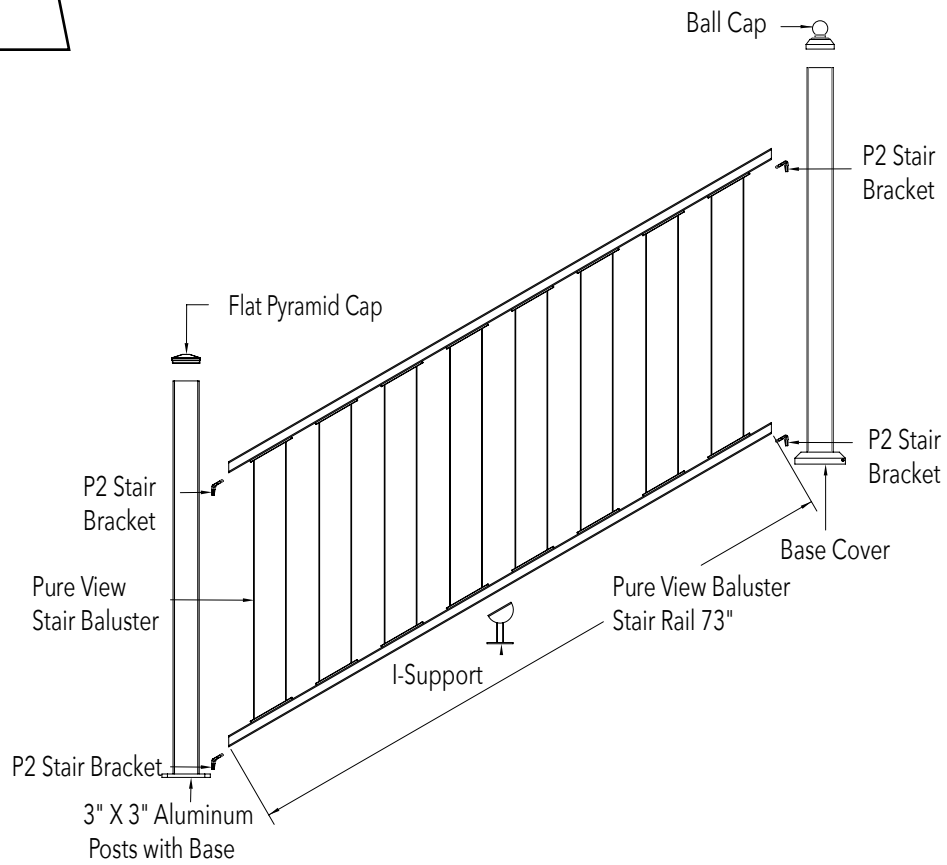
Evolve Angle Bracket



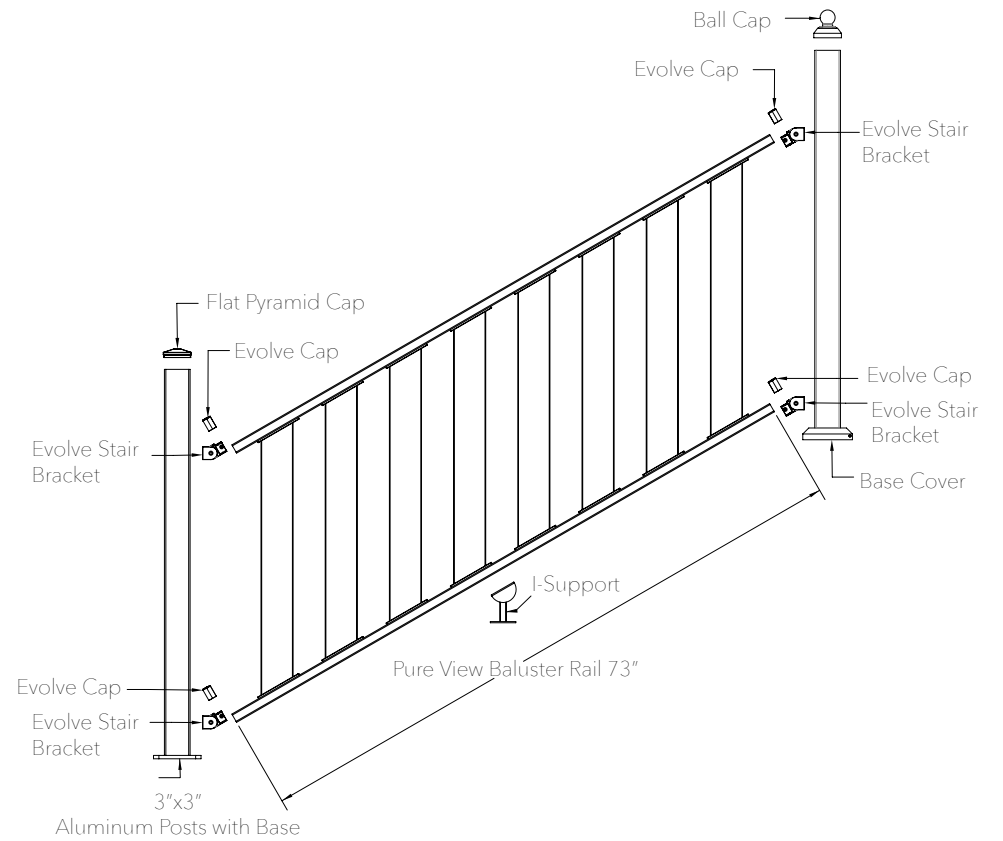
Evolve P2 Bracket



## STAIR WITH EVOLVE P2 BRACKETS

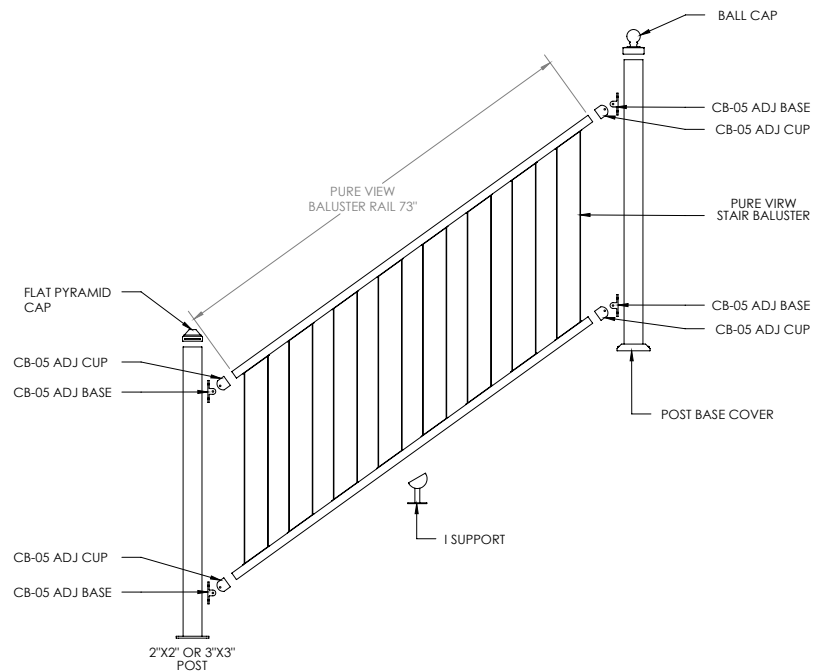
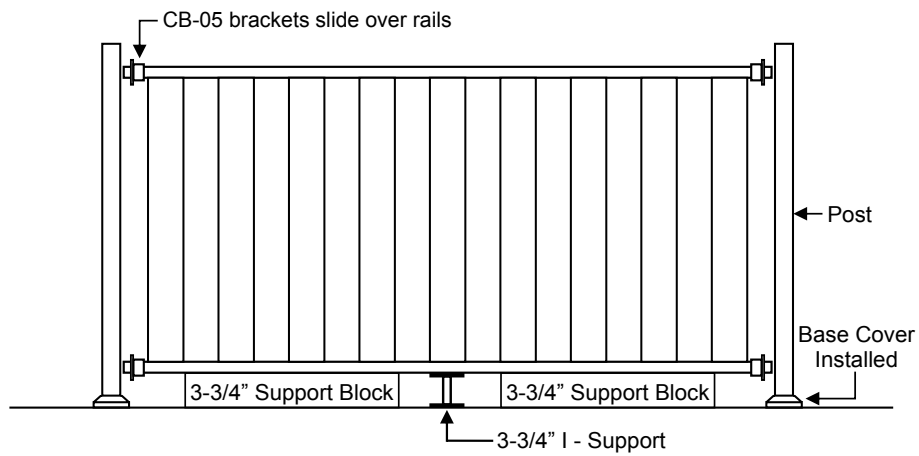


## STAIR WITH EVOLVE STAIR BRACKETS



# OPTION 3: GLASS BALUSTER PANELS IRON TOP AND BOTTOM PRE-SLOTTED RAILS

Collar Brackets



Universal Brackets

