

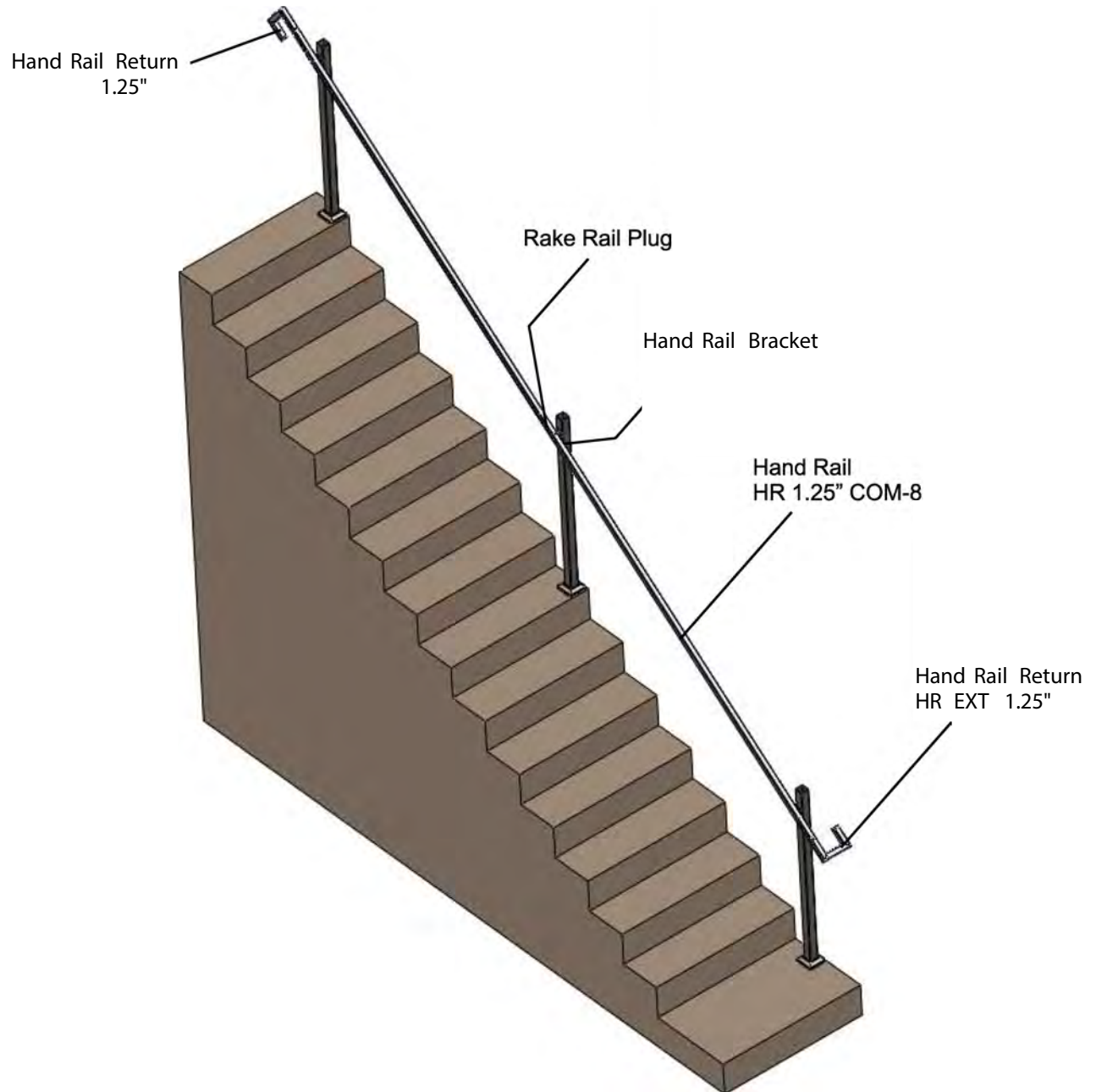
HANDRAILS

SIMPLIFIED

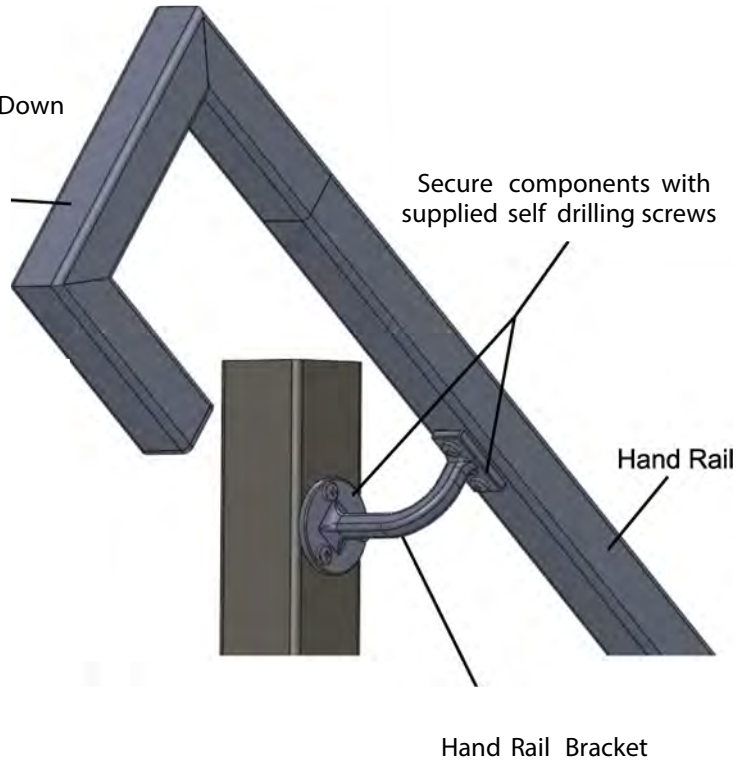
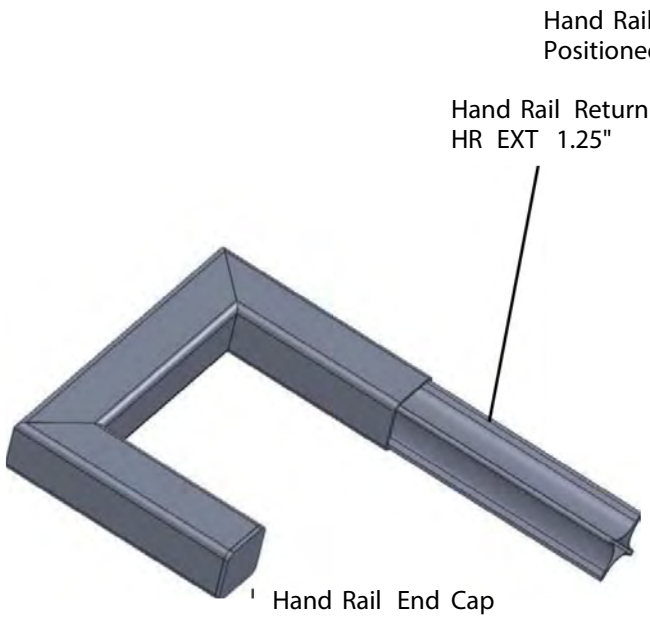
SQUARE



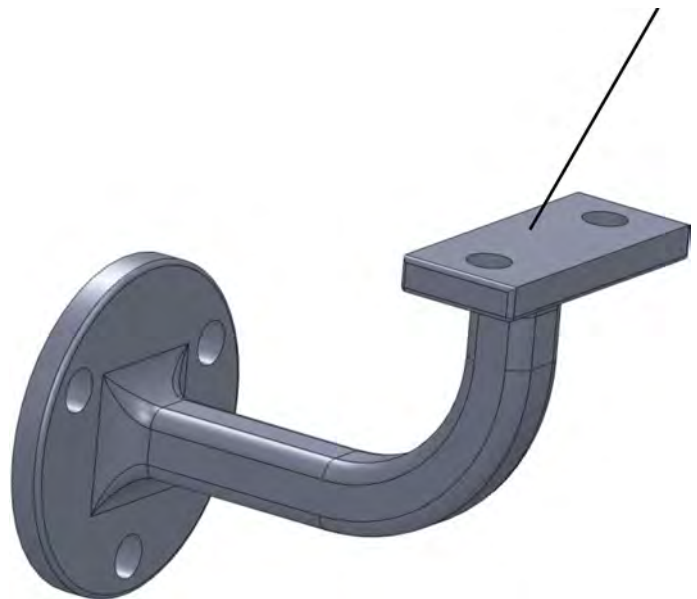
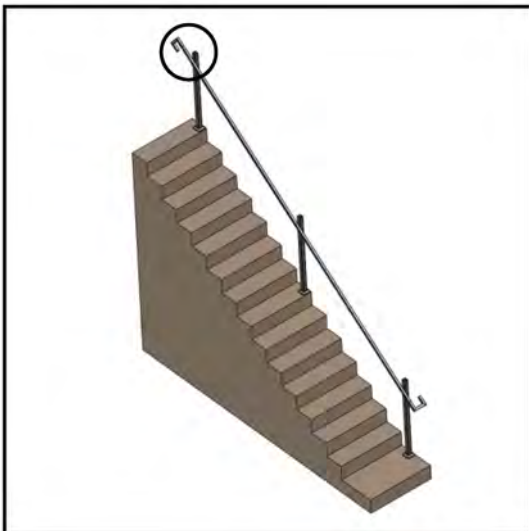
Square Hand Rail Installation Instructions



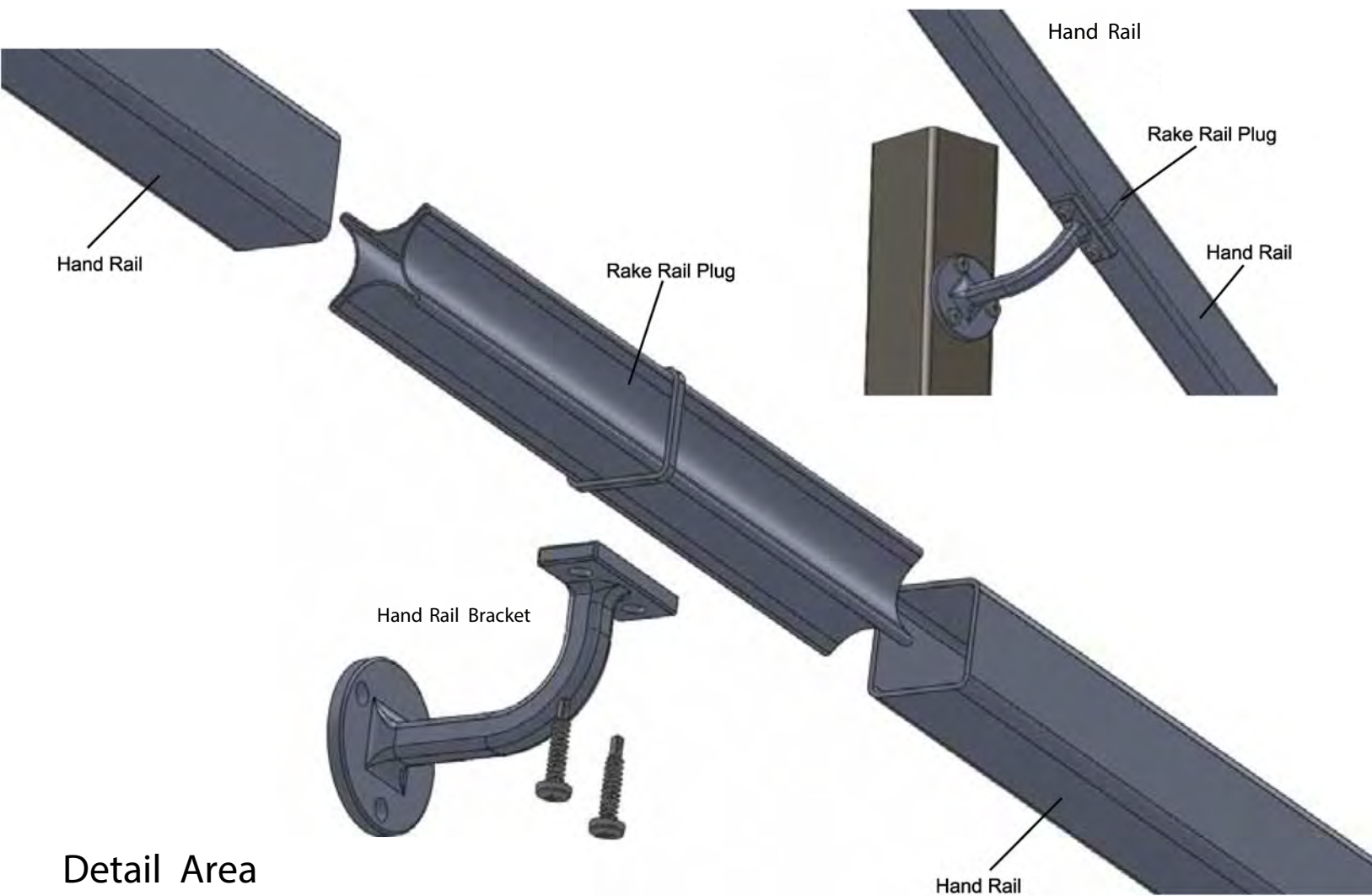
Square Hand Rail Installation Instructions



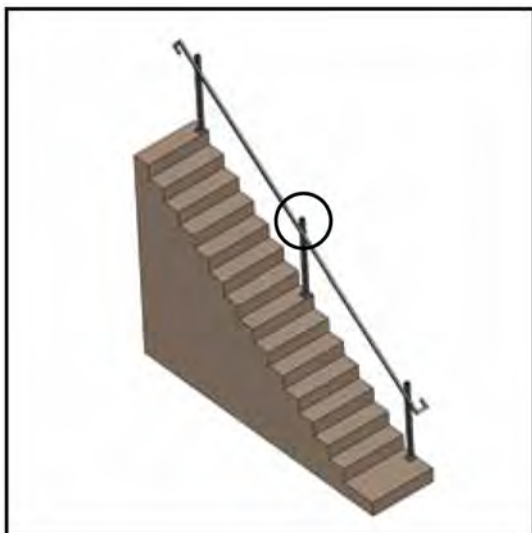
Detail Area



Square Hand Rail Installation Instructions



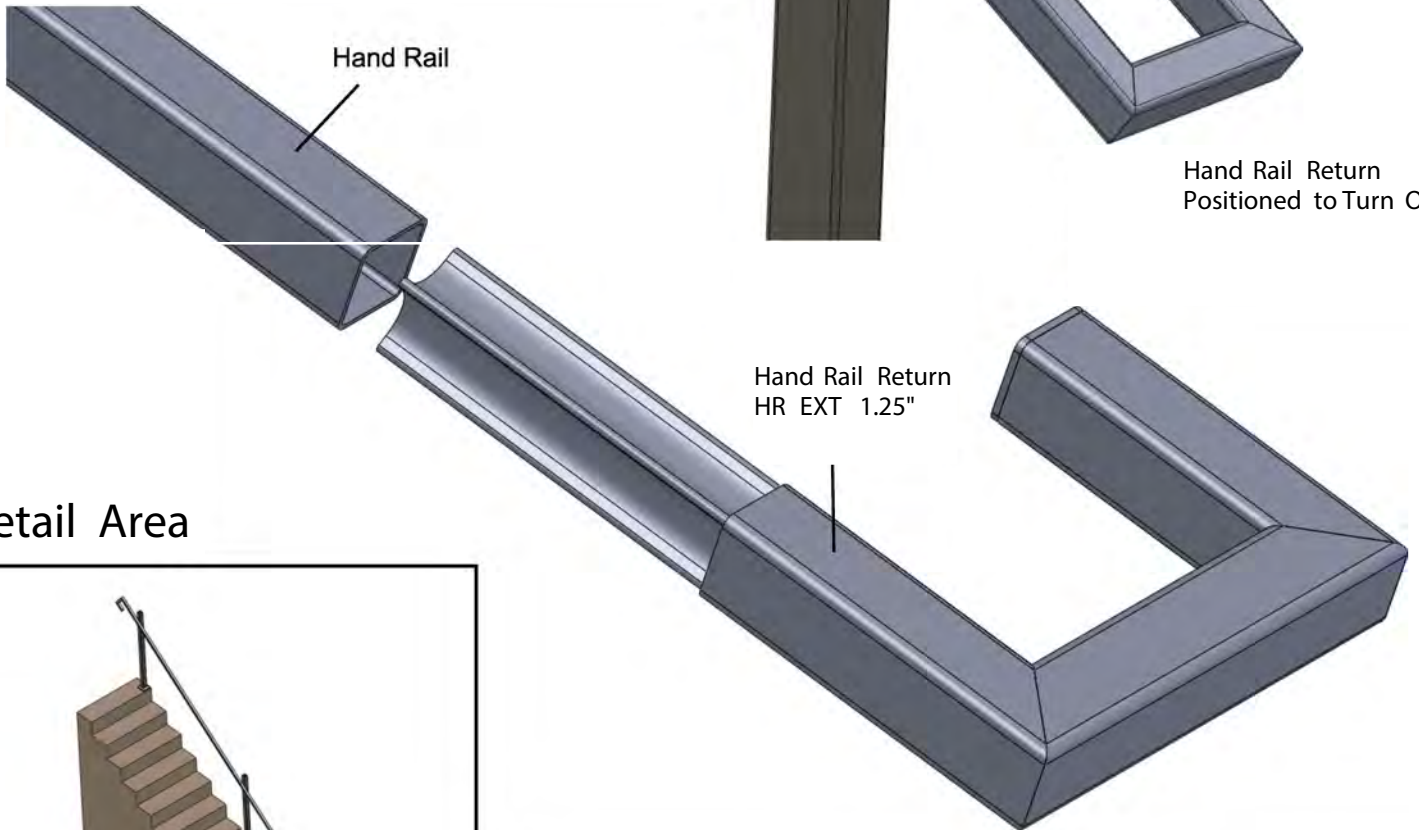
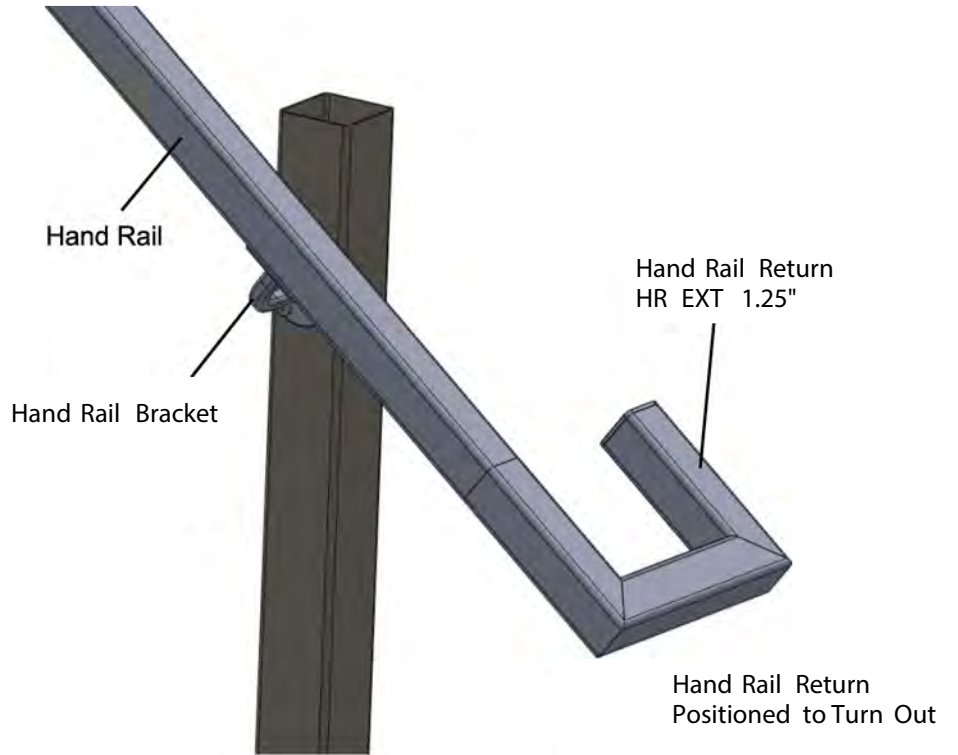
Detail Area



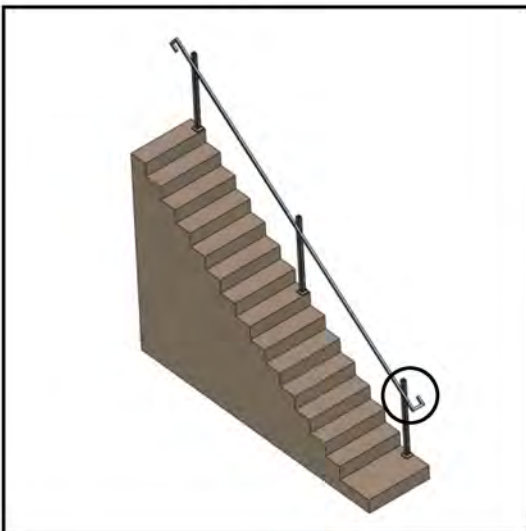
Secure Hand Rails and Plug with supplied screws.

When possible center Handrail Plug on Bracket to reduce the number of screws.

Square Hand Rail Installation Instructions



Detail Area



HANDRAILS

SIMPLIFIED

ROUND



Installation Instructions for Fortress Round Hand Rail & Accessories

It is the responsibility of the installer to meet all code and safety requirements as well as obtain all required building permits. The installer should determine and implement appropriate installation techniques for each installation situation. The Fortress Company and its distributors shall not be held liable for improper or unsafe installations.

Read Instructions Completely Before Starting Installation

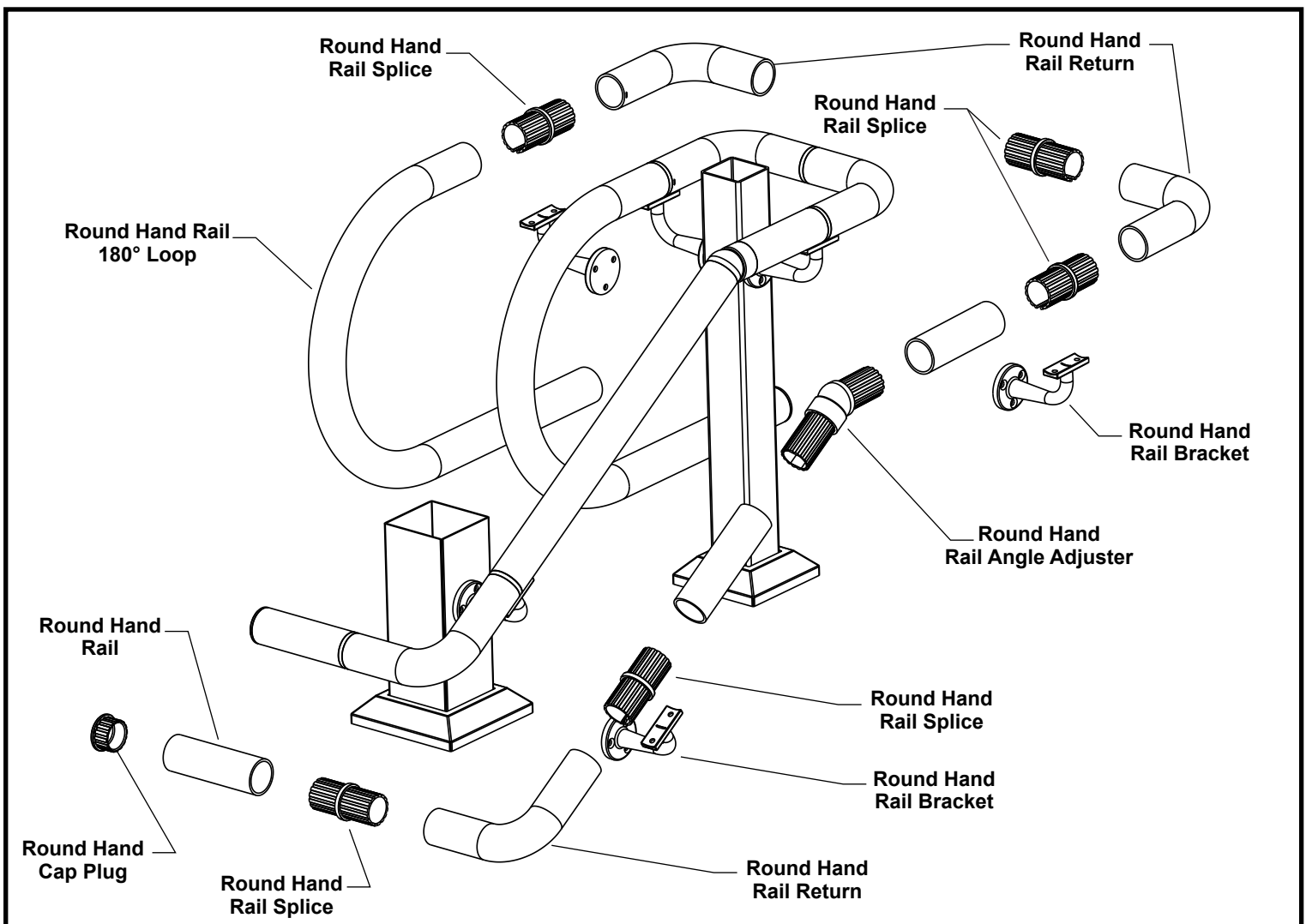
Note

Not following the below steps could result in oxidation at cut points and will void the warranty. When cutting Fortress Railing Products, complete the following at cut points:

- Cut material to length and remove all metal shavings from the cut area
- File any sharp edges left by cutting. Thoroughly wipe and remove any filings, grime or dirt from the panel.
- Apply two coats of Fortress touch-up paint to the cut area.
- Be sure to remove any metal shavings from the work surface to prevent oxidation on the surface.

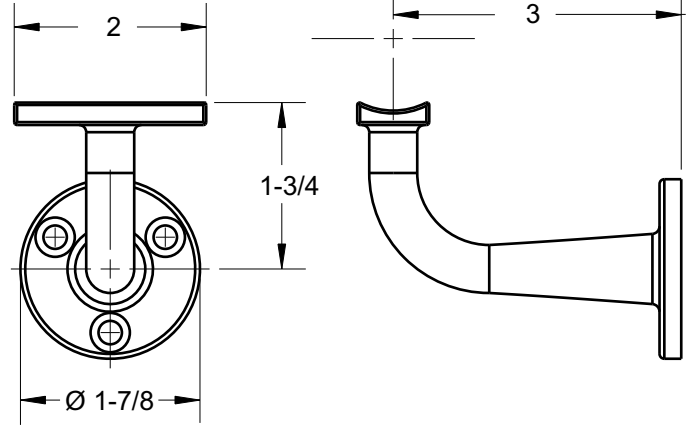
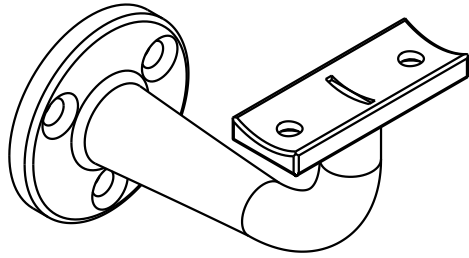
Required Materials

Drill, 5/32" Drill Bit, T-25 Driver, Tape Measure, Speed Square, Level, Fortress Epoxy, Metal Cutting Saw, File, Brush or Rags, Cardboard, Fortress Zinc Based Touch-Up Paint.



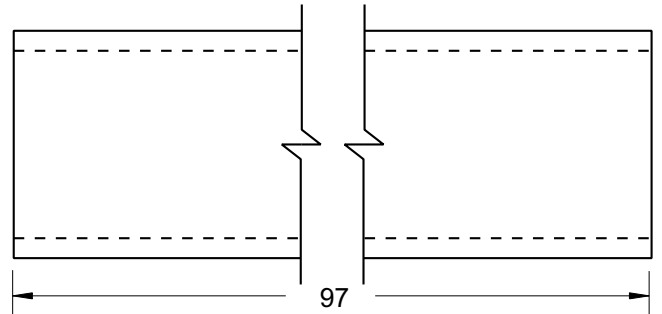
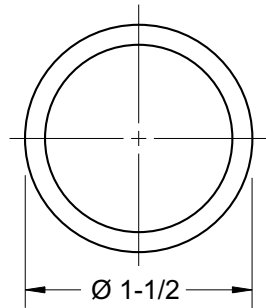
Round Hand Rail Bracket

Used to attach Round Hand Rail Components to Posts and Vertical Wall Surfaces.



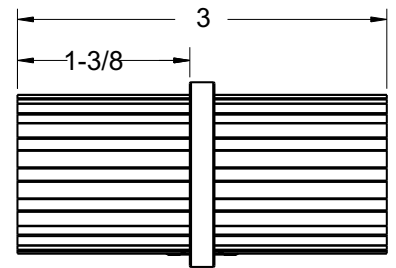
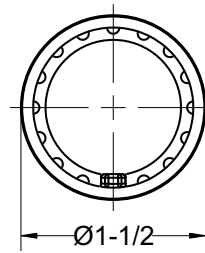
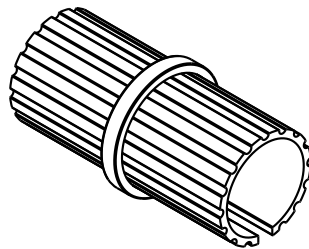
Round Hand Rail

Used to create Handrail Sections between brackets.



Round Hand Rail Splice

Used to join mating parts of the Round Hand Rail System that do not already have ribbed insert sections.



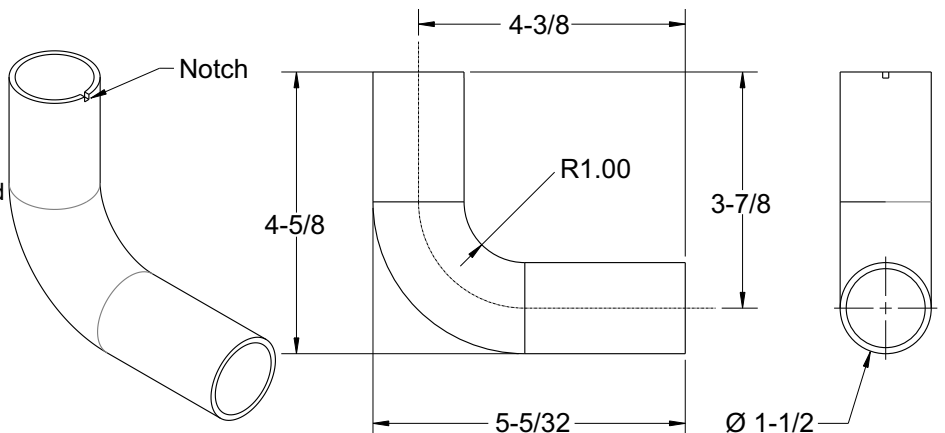
Round Hand Rail Return

Used to create corners and continuous rails around posts.

The Round Hand Rail Return has two different straight lengths 4-5/8" (marked with a notch) and 5-5/32" that allow installer to create a continuous Hand Rail around 2" and 3" Posts without modifying the Round Hand Rail Return.

For a continuous wrap around a 2" Post butt the two 4-5/8" lengths together.

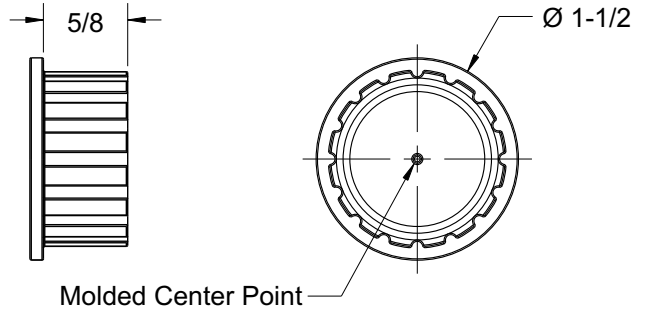
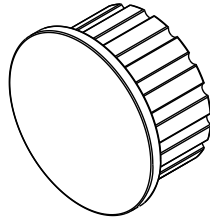
For a continuous wrap around a 3" Post butt the two 5-5/32" lengths together.



Round Hand Rail Cap Plug

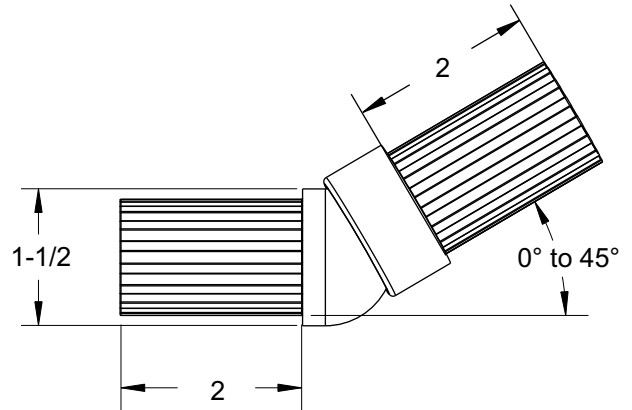
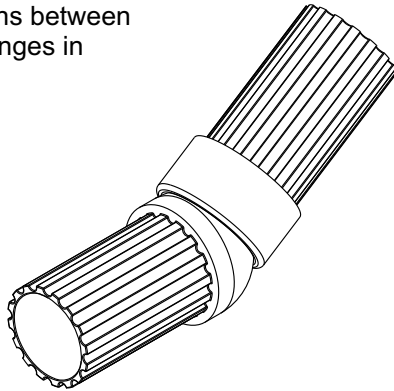
Used to cap open ends of the Round Hand Rail System.

Can Also be used to terminate a Round Hand Rail into a vertical wall surface by pre-drilling at the molded center point and securing to wall surface with a screw.



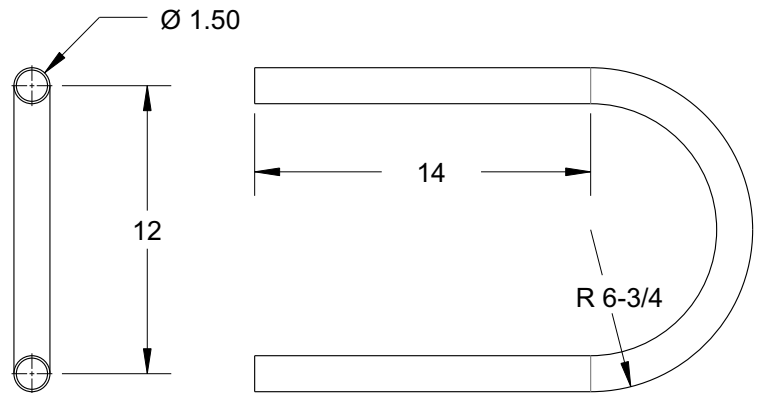
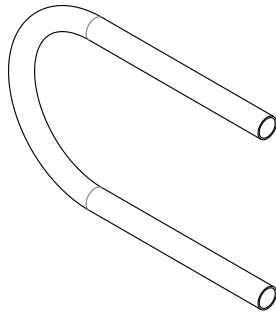
Round Hand Rail Angle Adjuster

Allows for smooth transitions between Hand Rail section with changes in elevation.



Round Hand Rail 180° Loop

Used to terminate handrails into posts.



Fortress Pro-Poxy Kit (250ml)

2 part epoxy used to join Round Hand Rail Components. Use a standard chalking gun to dispense. Replacement Static Mixers sold separately.

Product Cures Quickly. Do not apply until all parts are tested to fit.

